

# DOUBLE 50

Standing and hanging textile frame

NF-04510	Silver
NF-21510	Black
NF-56510	White

## Colors:



Silver    Black    White

Available in every color on request.

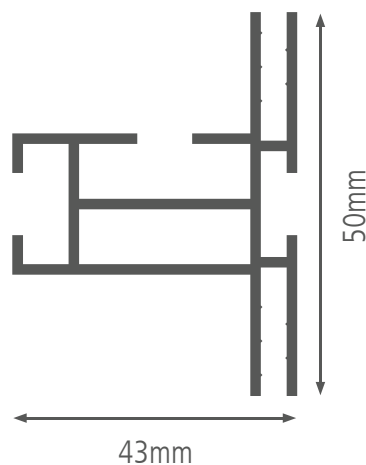
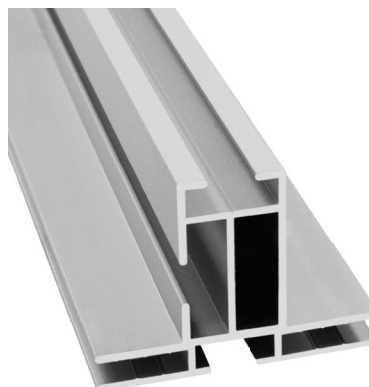
**Application:** freestanding, suspended from ceiling

**Width:** 50mm

**Length:** 6150mm

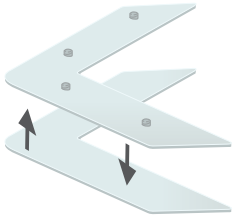
**Weight:** 0,987 kilo/meter

**Option:** Sound absorbing felt



Double-sided textile frame, designed for freestanding and / or suspended use. This profile has a double channel, for placing two textile prints in the frame. Various accessories can be applied in a simple way. With the extension sets, every size is possible.

- Suitable for double-sided printing textiles with silicone strip
- Additional reinforcement by heavy lockset
- By the application of foot supports to make free-standing
- Stabilizers for optimum reinforcement
- Ceiling hanger for hanging



**FK-0200**

Each frame is delivered with 8 locksets heavy.



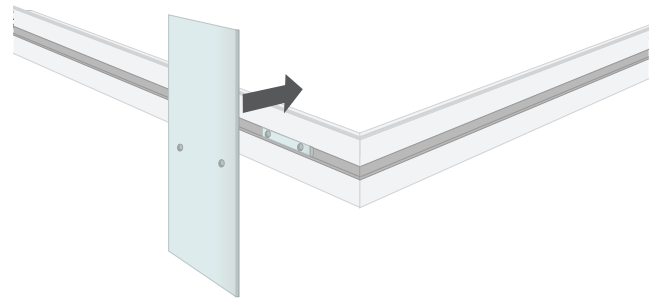
When connecting the frame, first place the lockset (FK-0200) without the punchholes, then the one with punchholes.

**Optional**

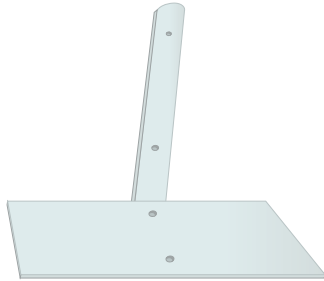


**FK-0100 / FK-0105 / FK-0110**

Footplate for standing. Material: Steel.

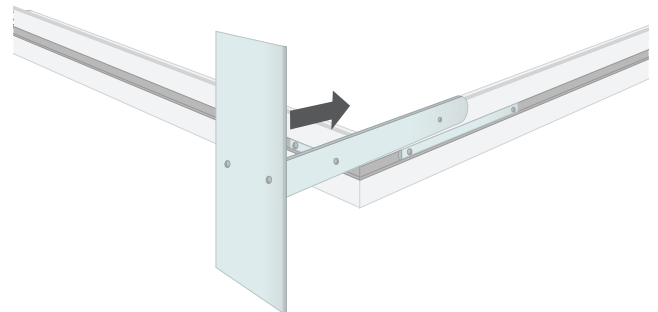


**Optional**

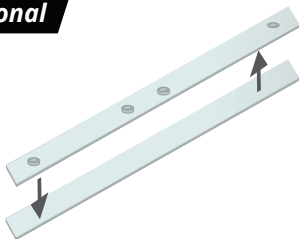


**FK-0120 / FK-0130**

Footplate for standing. Material: Steel.

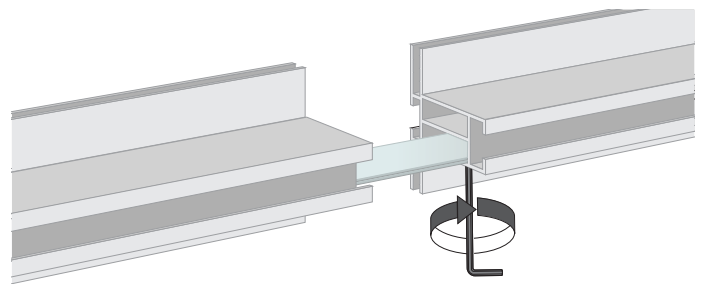


**Optional**



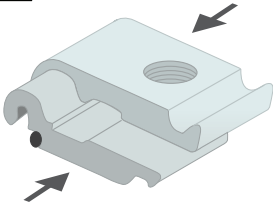
**FK-0500**

If the length of the frame is longer than 4 meters, an extension set (FK- 0500) is included.



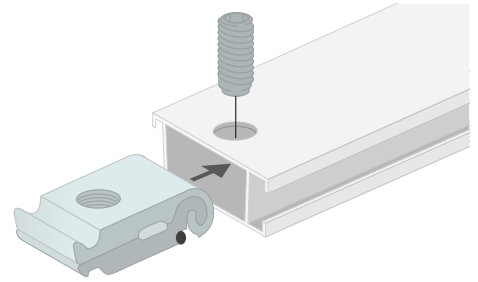
These extension sets can be placed in the channels where the frame is cut in half.

**Optional**



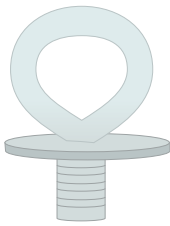
**FK-0220**

When connecting the stabilizer, first place the lockset in the channel.



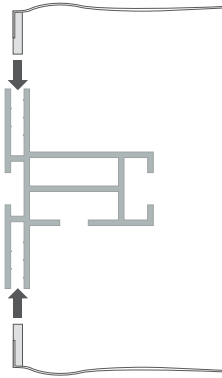
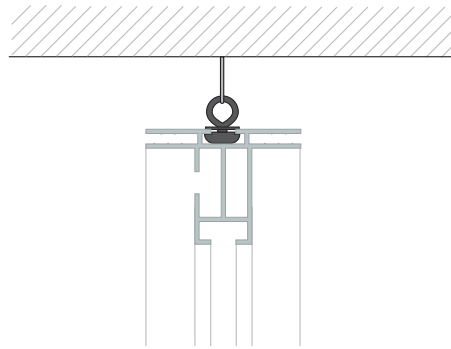
Then put the stabilizer (NF- 04438) on the lockset, now tighten the screw with the delivered allen key.

**Optional**



**FK-0360**

Suspended from ceiling.



Place the textile print in the frame. Start with the corners and press the silicone strip in the channel.

