

# DECOR 27 XL 45

Wallmount textile frame

NF-04270-XL Brushed

NF-70270-XL Glossy Black

NF-71270-XL White

## Colors:



Brushed Glossy Bl. White

Available in every color on request.

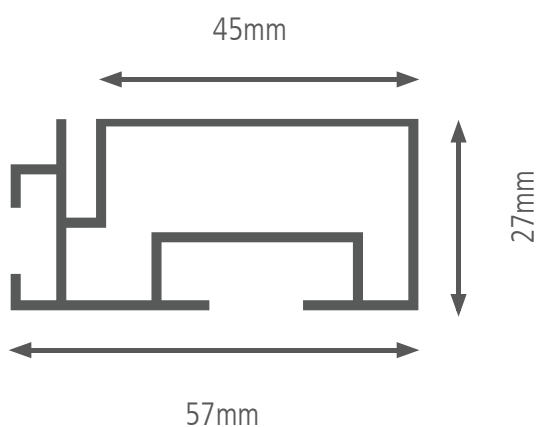
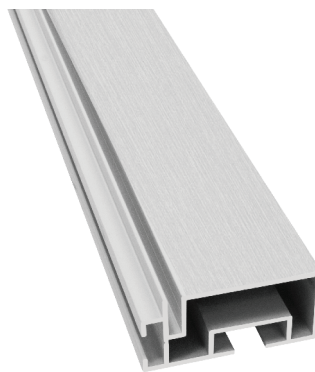
**Application:** Wallmount

**Width:** 27mm

**Length:** 6150mm

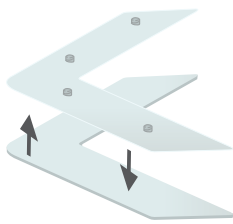
**Weight:** 0,892 kilo/meter

**Option:** Sound absorbing felt



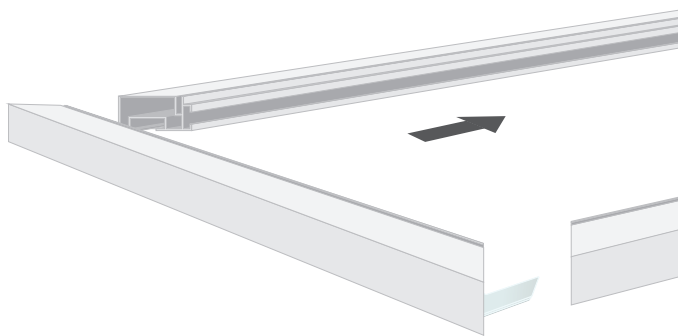
Decorative fabric frame designed for wall mounting. This frame has a thick side and therefore is a real eyecatcher. By using extension sets and stabilizers, any size is possible.

- Suitable for textile printing with silicone strip
- Easy install by double heavy lockset
- Stabilizers for optimum reinforcement



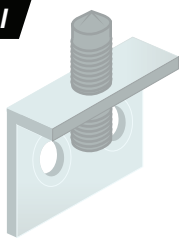
**FK-0240**

Each frame is delivered with 4 locksets heavy.



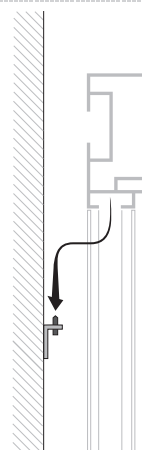
When connecting the frame, first place the lockset (FK-0240) without the punchholes, then the one with punchholes.

**Optional**

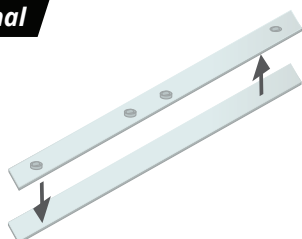


**FK-0400 / FK-0410**

These wallmounts can be placed under the frame to hang the frame on the wall.

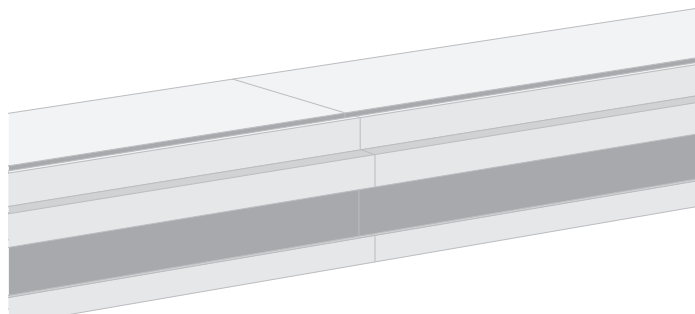


**Optional**



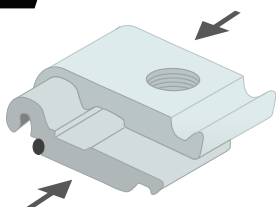
**FK-0500**

If the length of the frame is longer than 4 meters, an extension set (FK- 0500) is included.



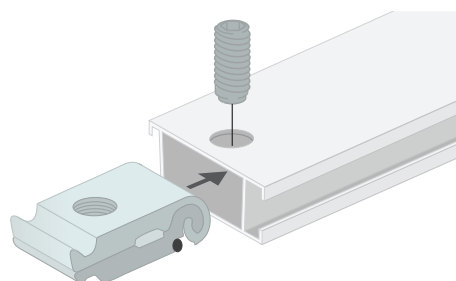
These extension sets can be placed in the channels where the frame is cut in half.

**Optional**

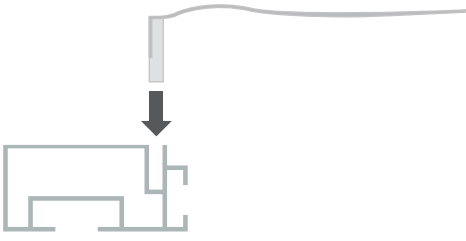


**FK-0220**

When connecting the stabilizer, first place the lockset in the channel.



Then put the stabilizer (NF- 04438) on the lockset, now tighten the screw with the delivered allen key.



Place the textile print in the frame. Start with the corners and press the silicone strip in the channel

